

GATTO II

2 & 4 channel programmable SMART receiver

The GATTO II is a 4 channel receiver with programmable relay functions. Relay functions include on, off, pulse, flip-flip and timer.

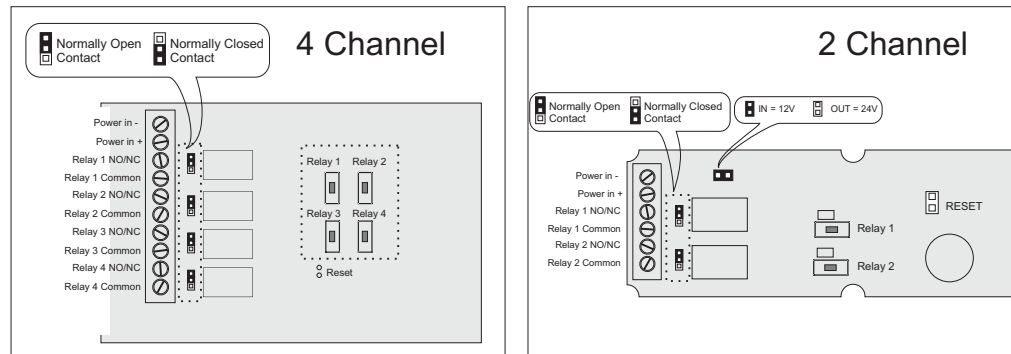
Remote controls and detectors transmitting to the GATTO II must be put in SMART mode

Operation

Each of the relays are programmed individually via the on-board buttons (see below). Once a remote control or motion detector has been learned into the receiver, activating it will activate the associated relay. Please note, the activation of the relays is dependant on the channel that is transmitted by the sensor or remote control.

For example: channel 1 = relay 1, channel 2 = relay 2, channel 3 = relay 3, channel 4 = relay 4.

Up to 100 different remote codes may be learned by the GATTO II



Programming

To add a remote control or motion detector

1. Press and hold button 1 and button 2 on the GATTO until both LEDs illuminate.
2. Transmit from device
3. Successful programming is indicated by the LEDs turning off

Programming of relay functions

The relays may be programmed to perform the functions listed in table 1.

To program the relay function:

1. Press and hold the button number for the associated relay (ie button 1 = relay 1, button 2 = relay 2 etc) until the LED illuminates.
2. Press the button for the number of times listed in the first column of table 1
3. The settings are saved once the button is not pressed for 2 seconds.

To reset/clear all codes

4 Channel: Short out the 2 holes below button 3 until all LEDs illuminate (4 Channel)

2 Channel: Short out the reset pins until both LEDs illuminate

All codes will be cleared and all devices need to be re-learnt

0	no function
1	500msec pulse
2	Toggle (flip/flop)
3	5sec pulse
4	30sec pulse
5	1min pulse
6	2min pulse
7	5min pulse
8	10min pulse
9	20min pulse
10	30min pulse
11	1h pulse
12	Rem. button1 = Relay 1 ON Rem. button2 = Relay 1 OFF

Table 1: relay functions

MAMI

21 Hubert Mathew Road
Iliondale
1610

Tel: +27 11 452 4737
Email: sales@mami.co.za

GATTO II

2 & 4 channel programmable SMART receiver

The GATTO II is a 4 channel receiver with programmable relay functions. Relay functions include on, off, pulse, flip-flip and timer.

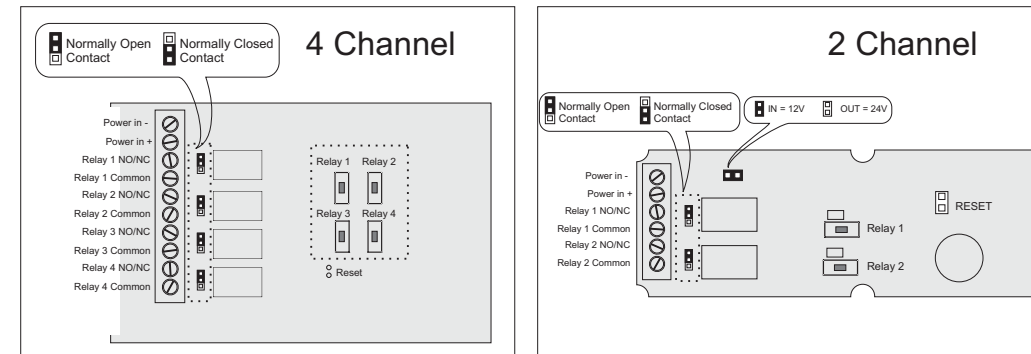
Remote controls and detectors transmitting to the GATTO II must be put in SMART mode

Operation

Each of the relays are programmed individually via the on-board buttons (see below). Once a remote control or motion detector has been learned into the receiver, activating it will activate the associated relay. Please note, the activation of the relays is dependant on the channel that is transmitted by the sensor or remote control.

For example: channel 1 = relay 1, channel 2 = relay 2, channel 3 = relay 3, channel 4 = relay 4.

Up to 100 different remote codes may be learned by the GATTO II



Programming

To add a remote control or motion detector

1. Press and hold button 1 and button 2 on the GATTO until both LEDs illuminate.
2. Transmit from device
3. Successful programming is indicated by the LEDs turning off

Programming of relay functions

The relays may be programmed to perform the functions listed in table 1.

To program the relay function:

1. Press and hold the button number for the associated relay (ie button 1 = relay 1, button 2 = relay 2 etc) until the LED illuminates.
2. Press the button for the number of times listed in the first column of table 1
3. The settings are saved once the button is not pressed for 2 seconds.

To reset/clear all codes

4 Channel: Short out the 2 holes below button 3 until all LEDs illuminate (4 Channel)

2 Channel: Short out the reset pins until both LEDs illuminate

All codes will be cleared and all devices need to be re-learnt

0	no function
1	500msec pulse
2	Toggle (flip/flop)
3	5sec pulse
4	30sec pulse
5	1min pulse
6	2min pulse
7	5min pulse
8	10min pulse
9	20min pulse
10	30min pulse
11	1h pulse
12	Rem. button1 = Relay 1 ON Rem. button2 = Relay 1 OFF

Table 1: relay functions

MAMI

21 Hubert Mathew Road
Iliondale
1610

Tel: +27 11 452 4737
Email: sales@mami.co.za

M000061